

logonSERV

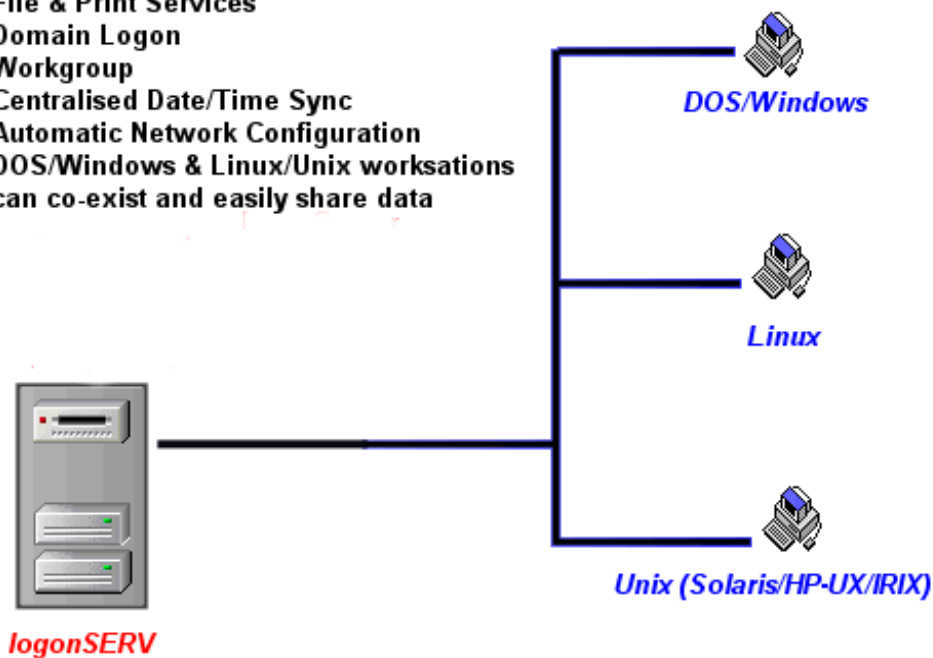
Welcome to our Domain Server solution!

A perfect blend of windows "user friendliness" and linux reliability

What is logonSERV?

Features:

- > File & Print Services
- > Domain Logon
- > Workgroup
- > Centralised Date/Time Sync
- > Automatic Network Configuration
- > DOS/Windows & Linux/Unix workstations can co-exist and easily share data



logonSERV server provides a centralized file and print services.

It can also provide NT domain logon services. It allows the users to log on to the local network and makes available various resources like files, application, printers, etc.

It allows the administrator to centrally manage and maintain all the computers connected to the network.

What you gain with our logonSERV Domain Server solution?

Very low total cost of ownership

- ➔ Avoid the excruciating cost of per user/seat/client licensing trap – now and in the future.
- ➔ Bid goodbye to frequent and expensive downtimes due to system crashes and virus attacks.
- ➔ Get out of the "mandatory" hardware upgrade cycle.
- ➔ No additional training required for the end-users. If they know windows they can use our system from day one.
- ➔ Support for most of the popular clients and workstation like *DOS, MS Windows 3.xx, MS Windows 9x, MS Windows NT/2000, Linux (Redhat, Suse, etc.), various Unix flavors like Solaris, HP-UX, IRIX, SCO Unix, etc.*

Backed by our responsive support delivered via email, telephone, on-site or remote administration service plans.

Features

Administrative and maintenance features

- "NT Domain" Logon server (Win 98 & XP prof)
- Automatic network settings for client nodes on the LAN
- WINS or Window name lookup server function
- Centralized Administrative and policy settings (Win 98)
- Uniform look and feel of desktops including startup screens, wallpaper, etc. (Win 98)
- Customized startup messages, support information, etc. (Win 98)
- Push installation of software from the server to the clients. (Win 98)
- Centralized network installation supported.
- Periodic client maintenance tasks can be performed by the server, like - (Win 98)
 - emptying recycle bins
 - clearing temporary folders
 - client hard disk check (scandisk)
 - etc...
- Message of the Day or bulletin features. (Win 98)

User features and customizations

- File server for users' files and directories
- Printer Services
- DFC – Digital Filing Cabinet
- Personal password protected home directory for each user. Easy and safe way for an user to share files with other users via the main server.
- Automatic and accurate date & time synchronization of all client nodes from the server.
- Roaming profiles support including start menu, desktop, shortcut roaming, etc.
- Individual user's preferences like desktop settings, colors, folder settings, etc. can follow the user.
- Special folders are available on the server for software installation, driver updates, applications, etc.
- Each user has a PUBLIC and PRIVATE folder on the server. The PRIVATE folder is used to store private documents which no one else can access whereas the PUBLIC folder is shared with other users via "Network Neighborhood", "Network Places", etc. and also via browsers like Firefox, Internet Explorer, etc.

Security features

- Controlled Network/Computer access.
- Access to client nodes without proper authentication can be prevented at various levels like no "restart in MS-DOS mode", etc. (for Win98).
- Encrypted password exchange during login process.
- Unauthorized access to domain resources can be prevented.
- Access to the control panel, registry editor, start menu and other settings can be centrally controlled.
- Allowed programs list for different users can be set.

Support for anti-virus software (optional)

- Centralized anti virus scanning of each client node from the server is supported. Please note you have to procure the anti-virus software separately (Optional).
- Virus scans can be configured at different scan levels like full scan or fast scan depending on whether it is the first login of the day or not.
- Automatic/Periodic updating of virus scanners and definitions (depends on the scanner selected).

Clients supported

- DOS (yes! our **logonSERV** solution can provide network services to legacy DOS computers also!!)
- Windows 3.xx
- Windows9x
- Windows NT workstation
- Windows 2000
- Windows XP home/professional

- Windows Vista home/professional
- Linux workstation (all major distributions supported, **logonSERV** also provides "Network Neighborhood" kind of functionality under Linux.

Note: Certain features may or may not be available for a given client platform.

Optional features

- Centralized Backup
- Data redundancy using software RAID
- Service availability and uptime using multiple physical servers in cluster
- All our solutions like mail server, edge server, etc. share the same user authentication data.

Notes

- All the features mentioned above may not be available at your installation. The actual feature set will depend on your site configuration and other factors.

More information

For further information and queries please contact us at :

Email: logonSERV@aclabs.net

www: <http://aclabs.net>

Tel: +91.9911064207